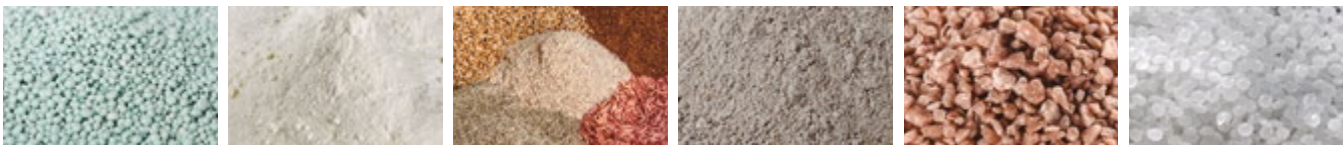




# BIG BAG

FIBC & OCTABIN  
FILLING SYSTEMS





## BIG BAG FILLING SYSTEMS

PAYPER's broad range of products includes systems designed for filling FIBC and Octabins ranging from 500 kg up to 2000 kg. The filling systems proposed can have different configurations depending on the type of product, the type of FIBC or Octabins to be used and the capacity required.

### FIBC/OCTABINS GROSS WEIGHT SYSTEMS



#### SEMI-AUTOMATIC GROSS WEIGHT FILLING SYSTEM

This gross weight configuration filling system is designed for low output capacity-up to 15 BB/h, depending on product characteristics. It is a compact solution requiring reduced surface cover and height.

#### AUTOMATIC GROSS WEIGHT FILLING SYSTEM

This gross weight filling system is designed for higher output capacity-up to 50 BB/h, depending on product characteristics. With its ergonomic, user friendly design and flexible configuration this FIBC/OCTABIN filling system allows us to propose custom tailored solutions reflecting the needs of our clients.



## FIBC/OCTABINS NET WEIGHT SYSTEM



### AUTOMATIC NET WEIGHT FILLING SYSTEM

This net weight filling system is designed for high output capacity-up to 120 BB/h, depending on product characteristics. This versatile filling system stands out with its high-precision weighing and robust design providing long lasting solutions even in a hostile environment such as fertilizer plants.





## OPTIONAL FEATURES

### PRODUCT SAMPLER

Specially designed to fulfill quality control related to the traceability of the product.



### BLOWING PRIOR TO FILLING

This system is used to unfold properly the bag prior to filling in order to maximise the filling process and achieve perfect stability of the Big Bag.



### DRIVEN TELESCOPIC FILLING TUBE

Allows the filling of various heights FIBC/Octabins. In case that powdery product is handled, pneumatic seals are incorporated in between the different levels of the telescopic tube, providing complete closure and avoiding product leaks.



### BAGGING SPOUT SUCTION SYSTEM FOR POWDERY PRODUCTS

Special design for powdery products reducing to minimum levels the dust emission.



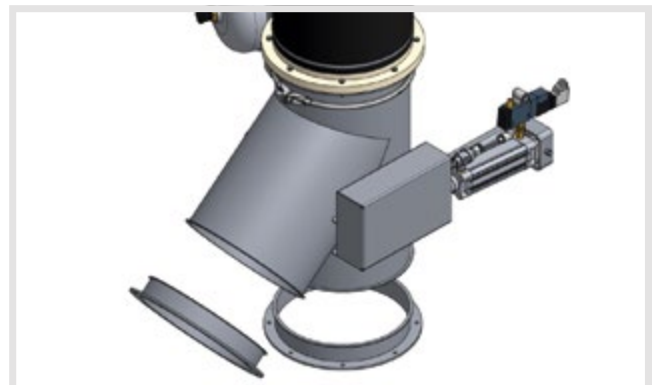
### METAL DETECTOR PRIOR TO FILLING

Specially designed to avoid metal particles contamination in the product flow, ensuring purity of the product.



### AUTOMATIC PRODUCT REJECT SYSTEM

Specially designed to avoid metal particles contamination by product deviation prior to filling, ensuring purity of the product and minimum quantity of product rejected.



### **INFLATABLE BAGGING SPOUT**

Filling spout which increases its diameter when inflating, adjusting to the big-bag inner neck, achieving safe and airtight union.



### **ONE OR FOUR LOOPS SOLUTION**

FIBC/Octabin filling system available for handling of BIG BAG with one or four loops



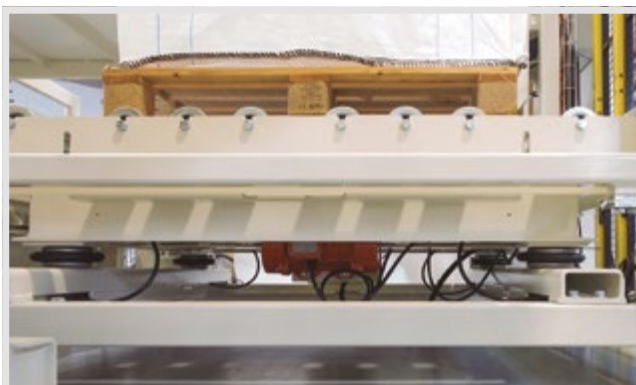
### **AUTOMATIC HOOKS**

Providing safe and reliable closing and releasing of Big Bag loops. Big Bag ergonomic loading system.



### **VIBRATING SYSTEM**

The system is placed underneath the motorized roller/belt conveyor and is designed to help difficult products to spread out and settle down.



### **AUTOMATIC EMPTY PALLET DISPENSER**

Designed to release empty pallets automatically reducing waiting times and improving efficiency.



### **CHECKWEIGHER**

Special execution allowing the verification of BB weight.





## OPTIONAL FEATURES

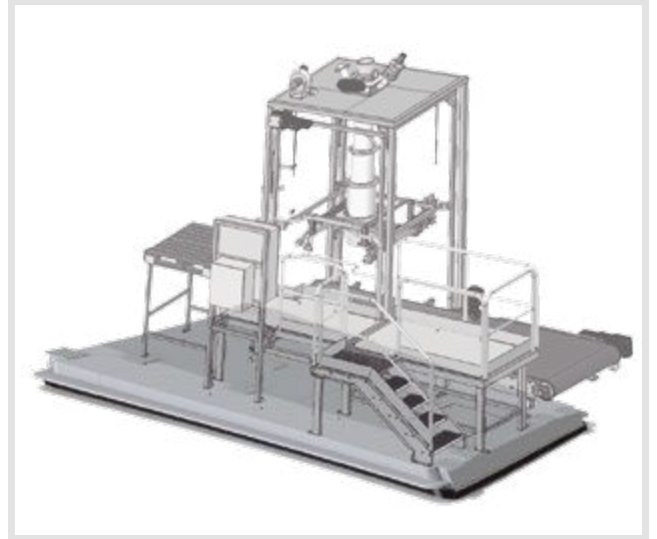
### OPERATOR'S ACCESS PLATFORM

Access platform to facilitate the positioning of the BB and the overall control of the system.



### MOVABLE PLATFORM

Upon customer requirement the complete bagging installation can be mounted on a movable platform.



### FULL BB EVACUATION

By the means of roller conveyor/belt conveyor (palletless system).



### CORROSIVE PRODUCTS PROTECTION

Different types of protection against corrosion are available, in accordance to the aggressivity of the product and the environment.



### ATEX FOR CLASSIFIED AREA

Upon customer request equipment can be manufactured and certified in order to be installed in classified ATEX area.





# APPLICATIONS FIBC/OCTABIN FILLING SYSTEMS



FERTILIZER  
INDUSTRY



AGRO-FOOD  
INDUSTRY



CEREALS  
AND SEEDS



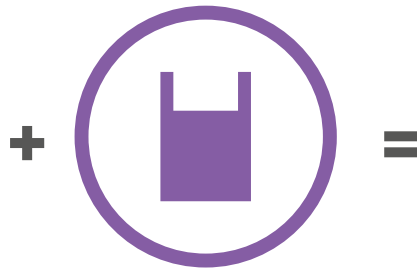
BUILDING  
INDUSTRY



MINERAL  
INDUSTRY



PLASTIC  
INDUSTRY



BIG BAG



OCTABIN

## MAIN REFERENCES





Permanent investment in  
research and development



Worldwide Technical Service

Pol. Ind. El Segre, par. 115  
25191 LLEIDA - SPAIN  
Tel. +34 973 216 040 | Fax +34 973 205 893  
info@payper.com

[www.payper.com](http://www.payper.com)



SPAIN · FRANCE · MEXICO · BRAZIL · INDIA

